

INTERIOR DOOR SYSTEMS

4008 Steel Beveled Edge Frameless Series

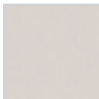


Steel Beveled Edge Frameless Mirror Bifold Doors



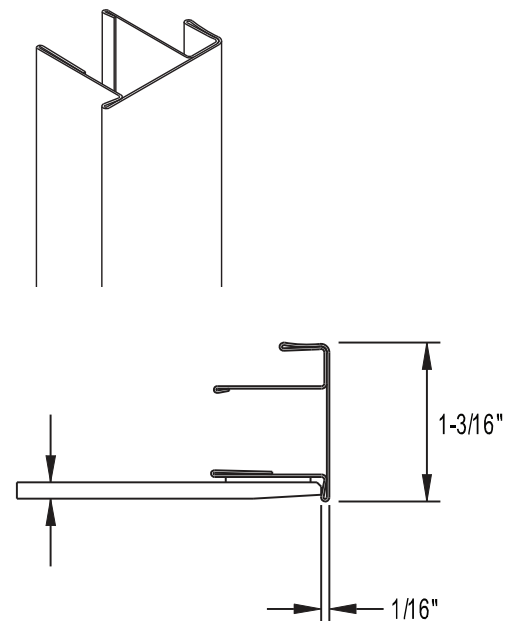
Steel Frameless Finishes

	SATIN GOLD (SG)		ARCTIC SILVER (AS)
	BRIGHT WHITE (BW)		MATT BLACK (MB)
	BRIGHT GOLD (BG)		VANILLA (VA)
	ARCHITECTURAL BROWN (AB)		POLISHED BRASS (PB)

Glass Options

	CLEAR MIRROR Safety-backed 3mm		SMOKED MIRROR Safety-backed 3mm
	BRONZE MIRROR Safety-backed 3mm		

Stile Profile



Product Description

- Edgeguard frame and mirror with 1/2" beveled edges
- Provides 95% closet access
- Standard sizes fit 24", 30", 36" widths and finished opening heights of 80" - 80-3/4" and 95-1/2" - 96-1/4" (+/- 1/4" adjustment)
- Factory finished, ready-to-install
- Custom sizes made to order

Featuring



4008 Steel Beveled Edge Frameless Series

Steel Beveled Edge Frameless Mirror Bifold Doors

Frameless closet doors shall use **4008 Steel Frameless Series** hardware consisting of a pair of steel frameless door panels joined at the top and bottom by hinges that prevent over closing of the door.

The frameless stiles (vertical member) are bonded to the back of the 1/2" beveled mirror edge. A protective edge is an integral part of the stile that protects the edge of the insert without taking away from the aesthetics of the frameless look. The rails (horizontal member) shall provide a mechanical fitting at the top and bottom. Each corner of a panel has a plastic corner connector mechanically fastened to the stiles and rails. The universal corner connectors have cavities to accept top and bottom pivots and guides.

Spring loaded guides are installed at the top corner and the bottom corners of the lead door panel. The top guide on the jamb panel serves as a pivot and engages a horizontally adjustable pivot bracket retained in the top track. The slide guides in the lead panel engage the top and bottom tracks. Snuggers which are retained in the top track, snug the door when it is fully closed. The lower pivot is vertically adjustable over a range of 7/8" (22mm) by means of a nut which turns on a threaded bolt in the body of the pivot and engages a horizontally adjustable pivot bracket retained in the top track.

The **4008 Steel Frameless Series** bifold has a full offset capability when opened which allows about 95% closet or storage access.

The top and bottom track shall be of pre-finished steel. Both tracks shall match the stile and rail. A metal pull attached to the stile of the jamb door is used to operate the door. The pull finish shall match the stile, rail and tracks. The stile, rail, top track and bottom track shall have a baked enamel paint finish (satin gold, bright gold, bright white, matt black, arctic silver, architectural brown or vanilla) or plated (polished brass). The pull shall have either a baked enamel finish or a bright anodized finish.

Insert thickness: 1/8" (3mm)

Maximum single door size: 36" wide x 96" high (914mm x 2438mm)

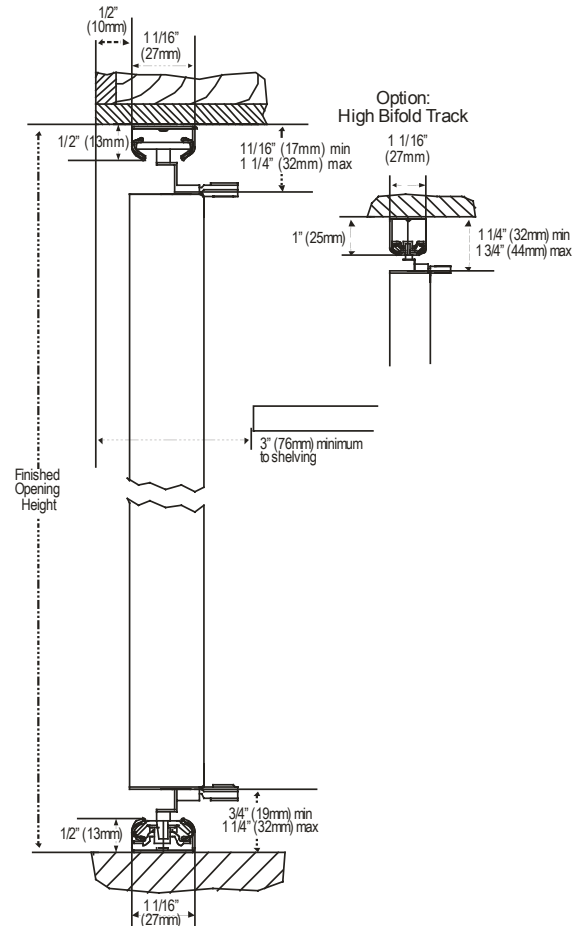
Maximum single door weight: 55 lbs. (25kg)

Finished Door Opening Heights: Standard 80 1/2" (door range: 80" to 80 3/4"), standard 96" (door range: 95 1/2" to 96 1/4")

Finished Door Opening Widths: Available in standard widths of 24", 30" and 36" with adjustability of -0" to + 1/4". Custom sizes available up to 72"w x 96"h

All JJ® mirror products use safety backed mirror. The mirror conforms to CGSB 12.5-M86 Type 3C (Canada) and ANSI Z97.1-1984 (US)

Cross Sectional



Featuring

