

INTERIOR DOOR SYSTEMS

5402 Euro Wood Series

Euro Wood Framed 3 Lite Double Pivot Doors



White

Euro Wood Frame Finishes



ESPRESSO
(EF)



WHITE
(WF)

Glass Option



TEMPERED FROSTED GLASS
STANDARD FOR STOCK EURO
DOORS
4mm



Espresso

Product Description

- 3 Lite 2 panel system
- Top and bottom pivot system with no bottom track
- Laminated frame has "wood" look (White or Espresso)
- Matching fascia
- Standard sizes fit 24", 30", 36" widths and finished opening heights of 80-1/2" (+/- 1/4" adjustment)
- Magnetic catch in center of top track
- Factory finished, ready-to-install

Featuring



5402 Euro Wood Series Euro Wood Framed 3 Lite Double Pivot Doors

Framed pivot closet doors shall be **5402 Euro Wood Series** consisting of a pair of framed door panels that swing in the opening using top and bottom pivot brackets.

The stiles and rails shall be joined at each corner by dowels and glued.

Both door panels have a top pivot that fits into an upper pivot bracket which is installed in a top track. Both door panels also have a bottom pivot that fits into a bottom jamb bracket. The bottom jamb bracket is attached to the jamb of the closet opening.

The top track shall be anodized aluminum. Metal pulls are attached to the stiles of both doors to allow operation of the doors. A fascia shall mount to the front of the top track. The stile, rail and fascia shall have a laminated finish (Espresso or White).

The **5402 Euro Wood Series Pivot Doors** allow about 95% access to the closet or storage area.

Two magnetic catches are used in the center of the top track to position the doors when closed.

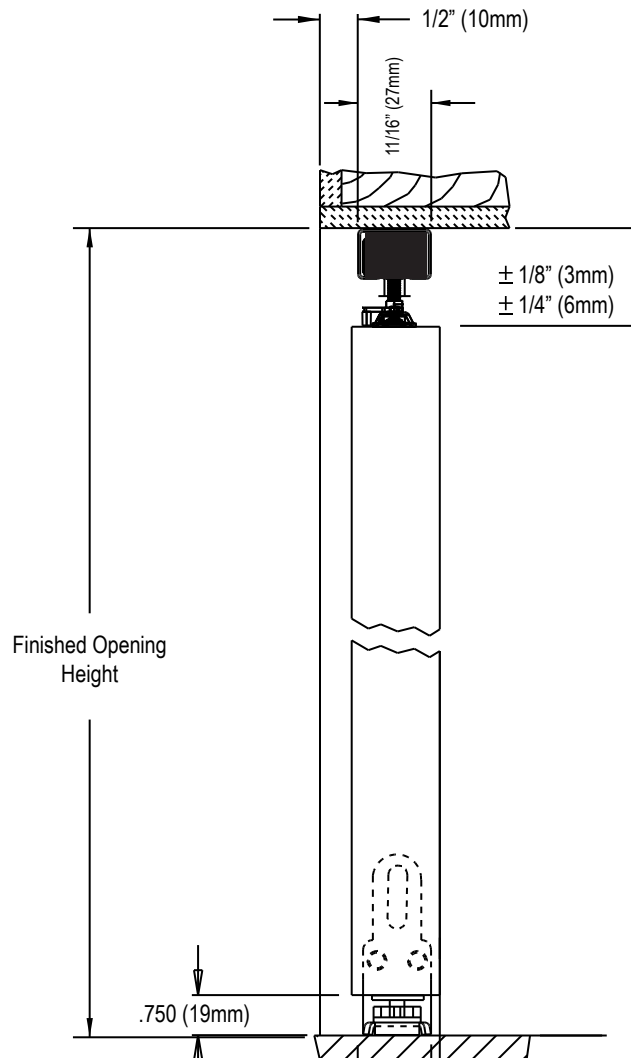
Insert thickness: 5/32" (4mm)

Maximum single door size: 18" wide x 80-1/2" high (457mm x 2045mm)

Maximum single door weight: 30 lbs. (13.6 kg)

JJ® frosted glass products are tempered and conform to local standards. In Canada, tempered or laminated safety-glass conform to CGSB Can1-12.1-M90. In the United States, tempered or laminated glass conform to ANSI Z97.1-1984 standards.

Cross Sectional



Featuring

